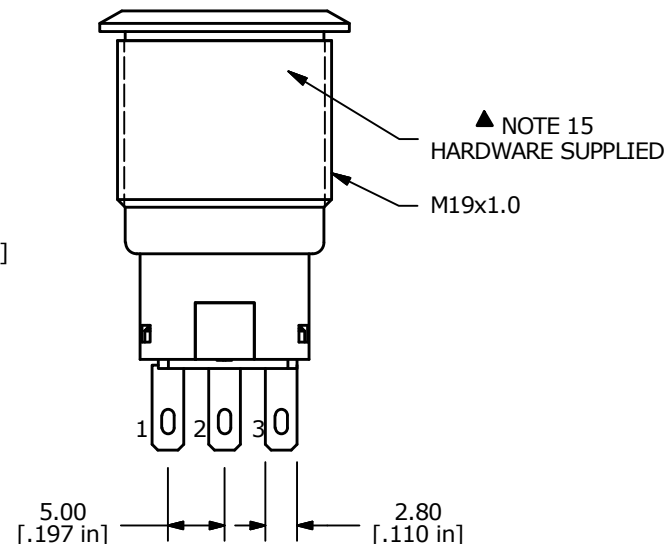
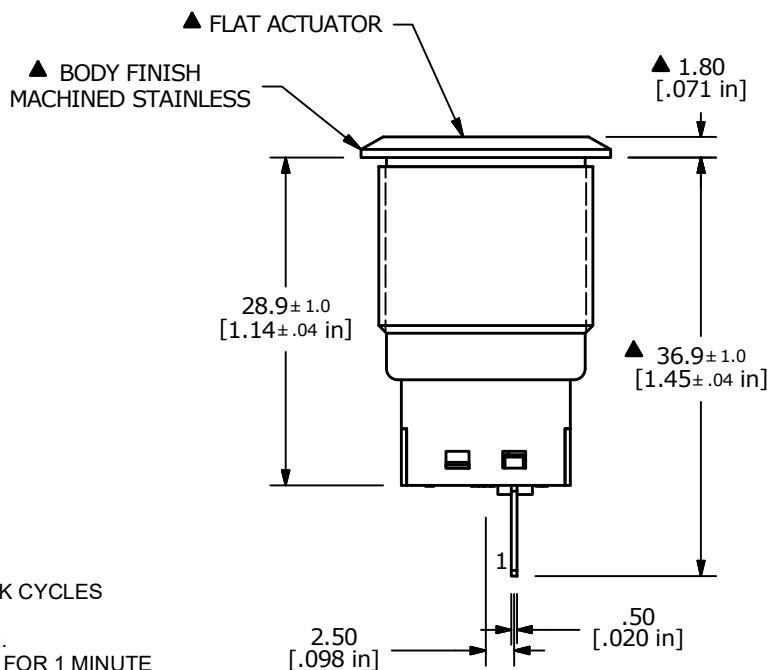
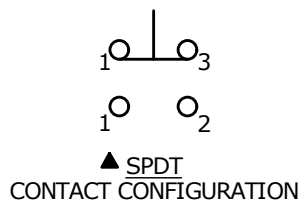
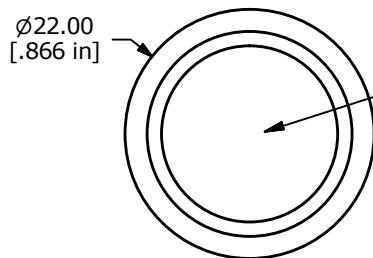


| SWITCH FUNCTION |        |
|-----------------|--------|
| POS. 1          | POS. 2 |
|                 |        |
| ON              | (ON)   |
| 1-3             | 1-2    |

(ON) = MOMENTARY



- NOTE:
- ALL DIMENSIONS IN MM [INCH]
  - GENERAL TOLERANCE: X.X=±0.4  
X.XX=±0.25
  - TERMINAL NUMBERS FOR REF ONLY
  - ▲ CONTACT MATERIAL: SILVER
  - RATING: 2A 24VDC
  - ELECTRIC LIFE: 50,000 MAKE-AND-BREAK CYCLES AT FULL LOAD.
  - INSULATION RESISTANCE: 1,000 MΩ MIN.
  - DIELECTRIC STRENGTH: 2,000 VAC MIN. FOR 1 MINUTE
  - CONTACT RESISTANCE: 50mΩ MAX. @ 1A 12VDC
  - OPERATING TEMP.: -20°C to 55°C
  - ▲ TRAVEL: 2.8mm
  - ▲ DENOTES CRITICAL PARAMETER.
  - LAMP VOLTAGE: NONE
  - INGRESS PROTECTION: IP65
  - HARDWARE SUPPLIED: O-RING AND HEXNUT
  - ILLUMINATION BASE RATING: NONE



|     |        |                              |         |     |
|-----|--------|------------------------------|---------|-----|
| B   | 23600  | UPDATED RATING TO 2A @ 24VDC | 10/9/18 | MJR |
| A   | 20189  | RELEASE FOR PRODUCTION       | 10/3/11 | BGL |
| REV | PCR NO | DESCRIPTION                  | DATE    | BY  |

|                 |                |        |                  |       |
|-----------------|----------------|--------|------------------|-------|
| TITLE PV4F2B0SS |                |        |                  |       |
| SCALE 3:2       | DATE 10/3/2011 | DR BGL | DWG 52-PV4F2B0SS | REV B |

THE INFORMATION CONTAINED IN THIS DOCUMENT IS PROPRIETARY TO E-SWITCH AND IS NOT TO BE COPIED OR TRANSFERRED